



WARM, SECURE AND BEAUTIFUL  
ALUMINIUM HYBRID BIFOLD DOOR

**WarmCore<sup>®</sup> Bifold Door**





WarmCore®

## BEAUTIFUL, STRONG AND SECURE

**BUILT AROUND A BELIEF THAT BEAUTY DOESN'T HAVE TO COMPROMISE PERFORMANCE, WARMCORE® ALUMINIUM HYBRID BIFOLD DOORS WERE CREATED OUT OF A DESIRE TO COMBINE THE DESIRABILITY, DURABILITY AND FLEXIBILITY OF ALUMINIUM WITH UNPARALLELED INSULATION.**

No matter whether you're tucked up inside watching TV or hosting a garden party, WamCore bifold doors will enhance the appearance of your home.

Depending on the opening configuration, the WarmCore® bifold can be configured to open inwards or outwards up to 6 metres, with up to seven opening sashes that glide along custom tracks. With numerous colour and configuration options, you will be making a great choice in choosing the WarmCore® bifold as an energy-efficient solution for your home.



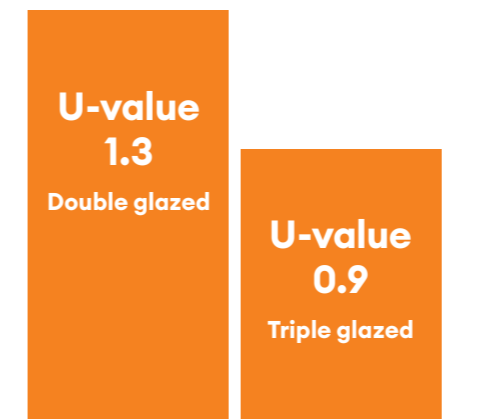


# WIDE SPAN DOORS FOR MODERN LIVING

**TRADITIONALLY, ALUMINIUM DOORS HAVE NOT BEEN CLASSED AS GOOD MAINTAINING ENERGY EFFICIENCY, WITH THE ALUMINIUM ITSELF CREATING A CONDUIT FOR HEAT TO ESCAPE.**

Whilst a beautifully strong and hard-wearing material, aluminium windows and doors allow heat to escape easily to the outside leaving you cold, with higher heating bills. Most aluminium systems try to overcome this inherent weakness by replacing a section of the aluminium with a small thermal break of less conductive material to lessen heat loss.

WarmCore® took a different approach from the start, revolutionising the window and door industry by creating a system designed to be as thermally efficient as possible. Built around a full-width thermal core, WarmCore® maximises the use of the lowest conductivity material, ensuring it is more energy efficient at keeping heat in your home, yet not compromising on its strength. The outer face of the profile is manufactured from high-grade aluminium, positioned to add excellent structural rigidity.



**WARMCORE® PERFORMANCE**

### U-values explained

A U-value is basically a measure of heat loss through a structural element. It is calculated on the rate at which heat transfers through 1 square metre of a structure and is stated in  $W/(m^2K)$ . U-values are used by the construction industry to compare the thermal performance of different materials and products.

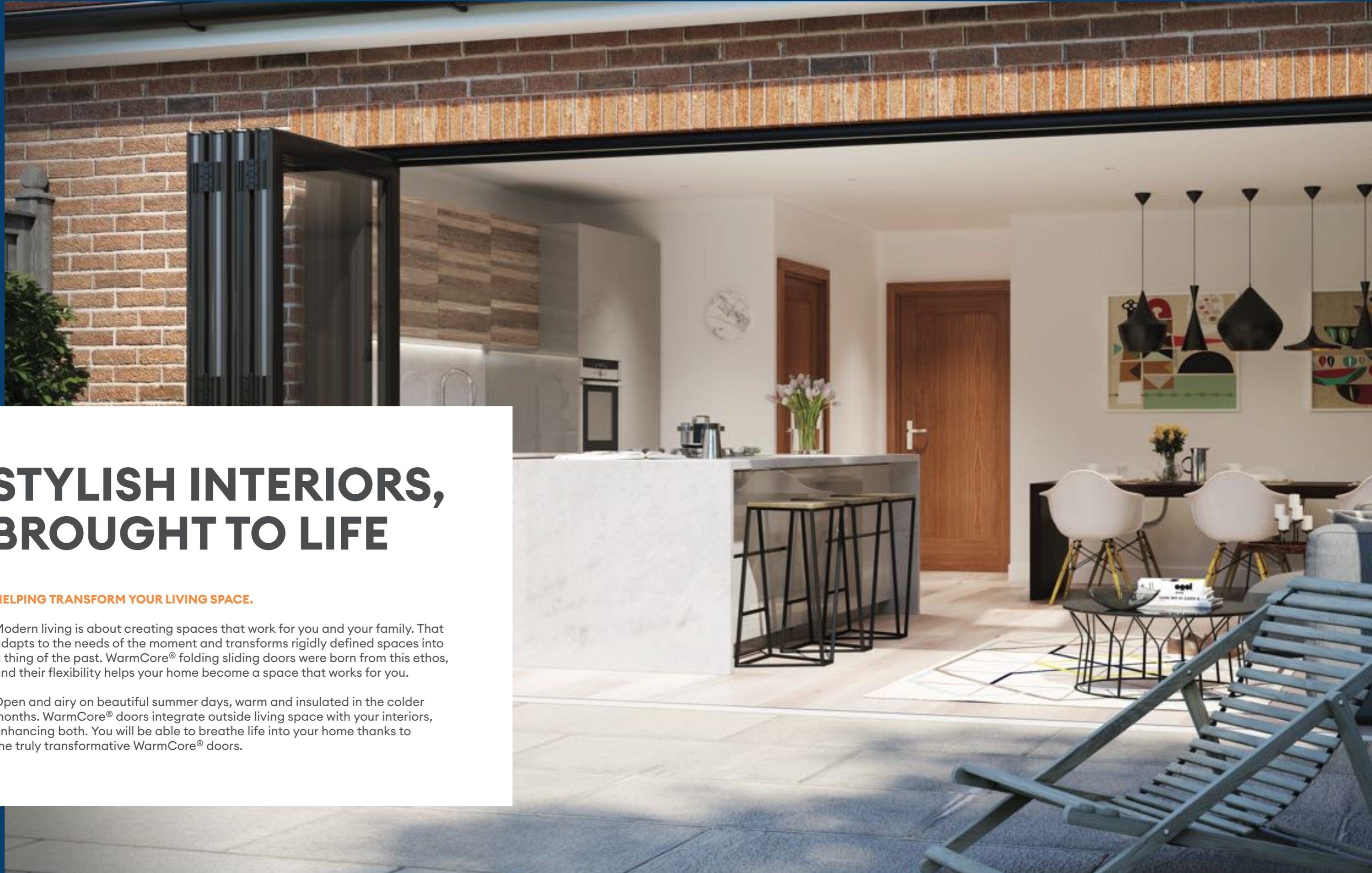


# STYLISH INTERIORS, BROUGHT TO LIFE

## HELPING TRANSFORM YOUR LIVING SPACE.

Modern living is about creating spaces that work for you and your family. That adapts to the needs of the moment and transforms rigidly defined spaces into a thing of the past. WarmCore® folding sliding doors were born from this ethos, and their flexibility helps your home become a space that works for you.

Open and airy on beautiful summer days, warm and insulated in the colder months. WarmCore® doors integrate outside living space with your interiors, enhancing both. You will be able to breathe life into your home thanks to the truly transformative WarmCore® doors.







# SECURITY BUILT IN

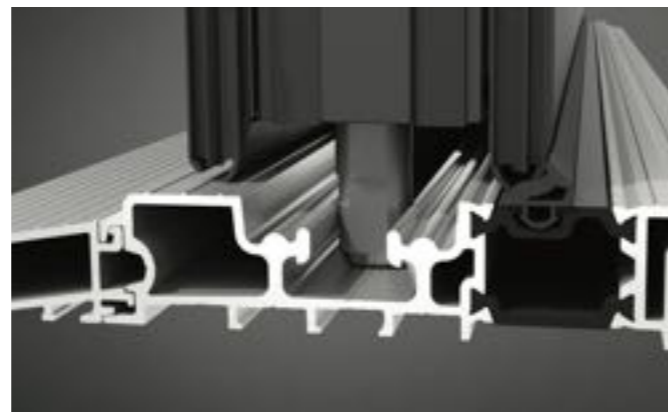
STRONG CONSTRUCTION BUILT FOR UNPARALLELED SECURITY.

From the unique 5-point lock designed to run the full length of the door sash, to the high-strength hinges and rollers, each element of the WarmCore® door combines to ensure optimum security.

WarmCore's aluminium-hybrid construction, custom-made roller assemblies - sitting deep within the top and bottom tracks - and extruded aluminium hinges make them inherently strong and secure. Added security features such as integral dog bolts bind the door sashes together when closed, protecting against forced entry.

A custom-designed door lock that isn't available on any other door system. It uses a 5-point locking system with 3 opposed hook locks and twin shoot bolts - that engage fully into the aluminium top and bottom tracks - to keep you and your family safe and secure.

Every WarmCore® door is independently certified to PAS24:2022 the benchmark for enhanced security performance requirements for doors and windows in the UK. With the optional laminate glass upgrade, WarmCore® bifold doors meet Secured by Design accreditations.



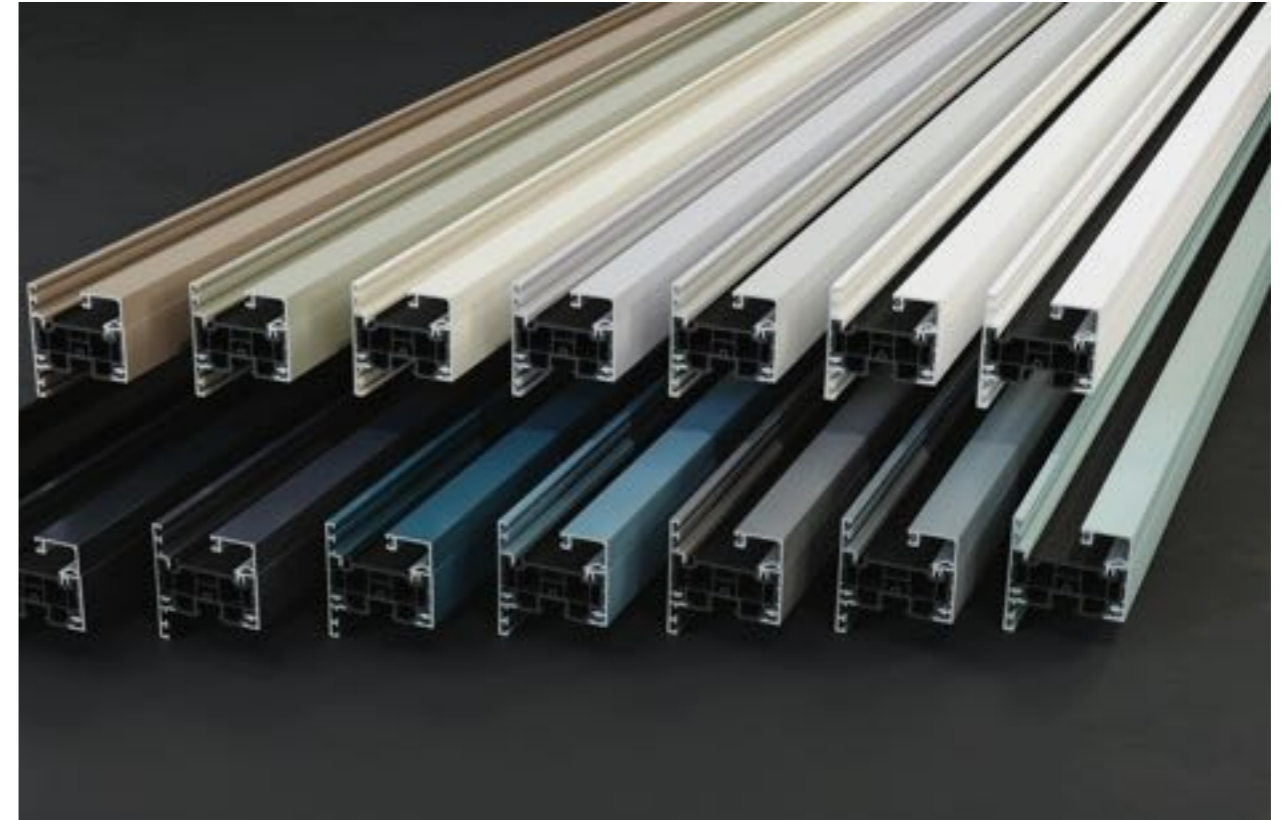
For added peace of mind choose the optional laminate glass upgrade - to achieve Secured by Design accreditation.



# FIND YOUR PERFECT COLOUR AND FINISH

Available in a choice of powder coated colours and stunning laminated grained finishes, WarmCore® also allows you to pick a different colour for each side of your bifold door.

Want a colour outside with white inside to leave you free to change your interior in the future? – with WarmCore® that's no problem.



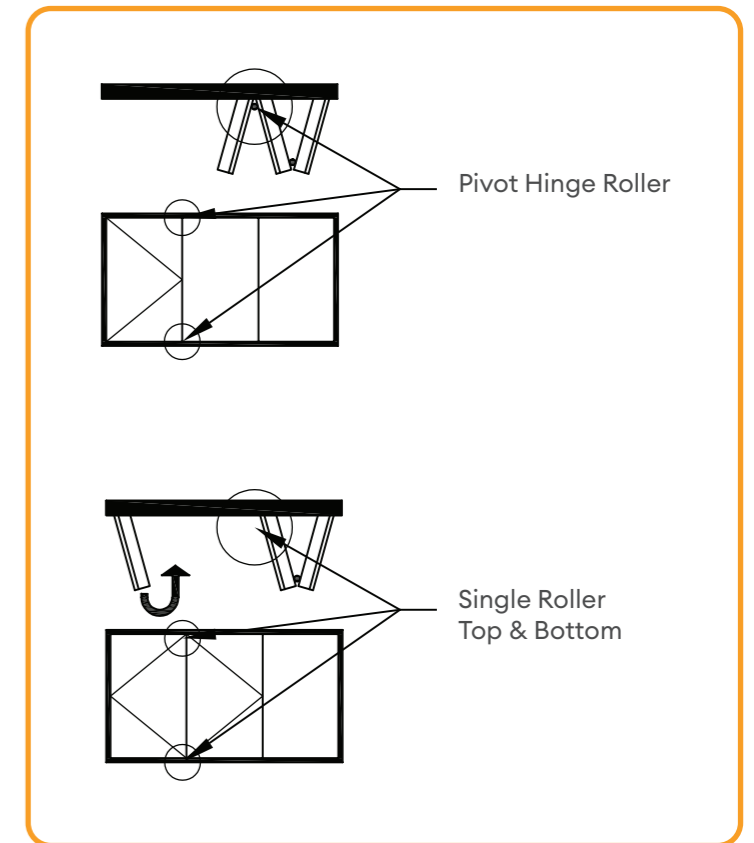
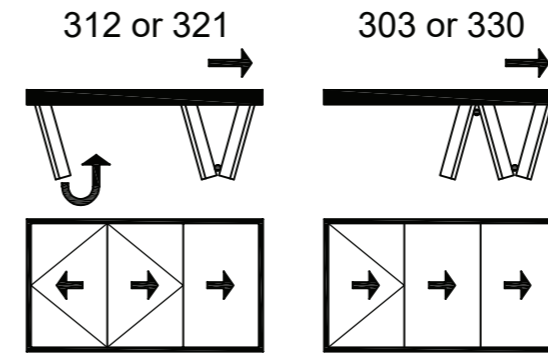
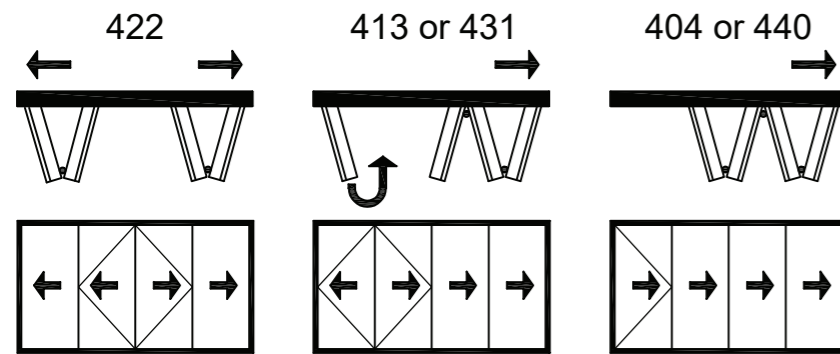
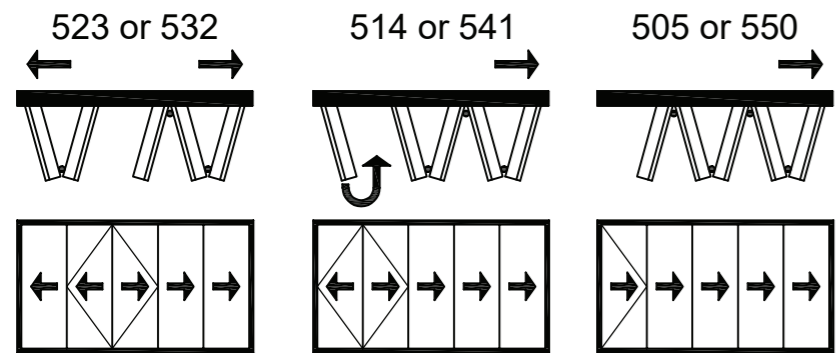
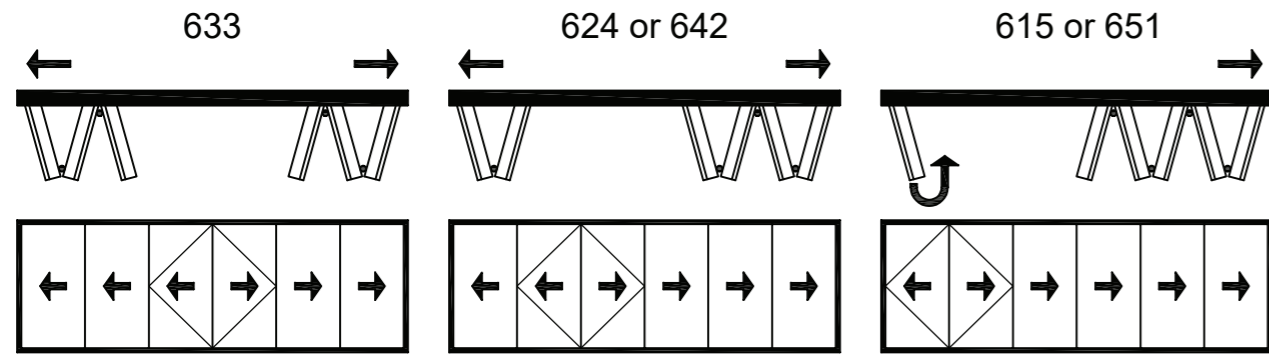
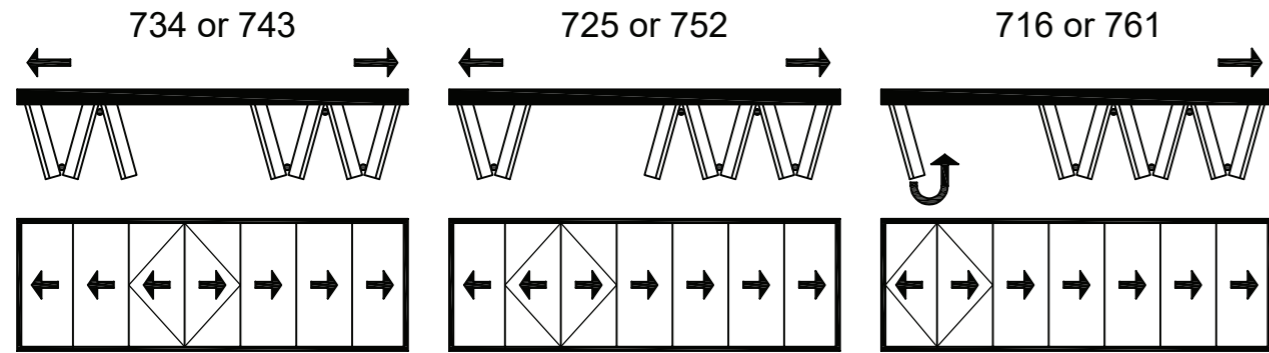
## POWDER COATED COLOURS



## WOODGRAIN FOILS



# DOOR CONFIGURATIONS



WarmCore® doors are described as a set of 3 numbers - the first is the total number of door sashes, the second refers to the number of door sashes that open left and the third the number that open right, when viewed from outside.



# A WINDOW TO A BETTER WORLD...

IF A PRODUCT IS AESTHETICALLY APPEALING AND HIGH PERFORMING, DOES IT MATTER HOW IT IS MADE? AT KÖMMERLING, WE THINK IT DOES.

We don't believe that beautiful windows and doors should come at the expense of our even more beautiful planet. That's why a commitment to the environment, and to society as a whole, underpins everything we do.

Reflecting this, we were one of the first manufacturers of PVCu windows and doors to replace lead-based stabilisers in our profiles with non-toxic, more environmentally friendly calcium zinc-based alternatives.

We were also a founding member of an industry-wide project to recycle PVCu window and door waste into new windows and doors as well as the first company in the market to obtain 'Zero Pellet Loss' certification. This initiative helps to keep plastic out of the world's oceans and other environments.

The "Kömmerling Better World Stiftung" foundation, meanwhile, is our own not-for-profit charitable organisation. It raises money for a wide range of equally worthwhile causes including the care of the elderly, cancer research and children's homes.





# WarmCore<sup>®</sup>



## #KömmerlingForTomorrow

To discover your local supplier of the WarmCore<sup>®</sup> Bi-folding Door range, call us on **01623 579200**.

[www.kommerling.co.uk](http://www.kommerling.co.uk)

🐦 @kommerling\_uk  
📘 KommerlingUK  
📷 kommerlinguk

Kömmerling and WarmCore are brands of the profine Group.

profine UK Ltd.  
Common Road  
Huthwaite  
Nottinghamshire  
NG17 6AD  
[enquiries@profine-group.com](mailto:enquiries@profine-group.com)

Product specifications and colours may change subject to certain specific countries.